

# TEVION®

## User Guide

### Wireless Keyboard & Mouse Set

P81033



Now you have purchased a TEVION® product you can rest assured in the knowledge that as well as your manufacturer's warranty you have the added peace of mind of dedicated helplines and web support:

#### AFTER SALES SUPPORT



☎ 0871 37 61 020

(Costs 7p/min from a BT landline, mobile costs may be higher)



[www.medion.co.uk](http://www.medion.co.uk)

MODEL: MD 86603



☎ 1-800-992 508

(free phone)

- Wireless keyboard
- Wireless mouse
- USB receiver
- 4 AAA batteries
- User manual
- Warranty Card

# 3

YEARS  
WARRANTY

## Contents

<b>Safety and maintenance</b> .....	<b>3</b>
Safety instructions.....	3
Maintenance.....	6
Disposal.....	6
<b>Contents of package</b> .....	<b>7</b>
<b>System requirements</b> .....	<b>7</b>
<b>Technical data</b> .....	<b>7</b>
<b>Initial operation</b> .....	<b>8</b>
Operating elements.....	8
Inserting the batteries into the keyboard.....	9
Inserting the batteries into the wireless mouse.....	9
Switching on the mouse .....	9
Installing the receiver.....	9
<b>Operating the components</b> .....	<b>10</b>
Mouse wheel .....	10
Keyboard.....	10
<b>Customer service</b> .....	<b>13</b>
What to do in case of malfunctions .....	13
Technical support .....	13

Copyright © 2011

All rights reserved.

This manual is protected by copyright.

MEDION® is the owner of this copyright.

Trademarks:

MS-DOS® and Windows® are registered trademarks of Microsoft®.

Other trademarks are the property of their respective owners.

Subject to technical and optical changes, as well as printing errors.

#### AFTER SALES SUPPORT

☎ 0871 37 61 030 ☎ 1-800-992 508  
Monday to Friday 9am to 5pm (UK time),  
outside the UK see page 104  
www.medion.co.uk

MODEL: MD 86603

• Wireless keyboard  
• Wireless mouse  
• USB receiver  
• 4 AA batteries  
• User manual  
• Warranty Card



## Safety and maintenance

### Safety instructions

Read the operating instructions carefully – this chapter in particular – and follow all instructions given. The instructions will help you to operate the device reliably and help increase its service life. Always store these instructions near the device.

Keep these operating instructions so that you can pass them on with the device if you sell it.

### Operational safety

- After each update, always back up your data to an external storage device (USB sticks, external hard disks, CD-Rs). We do not accept any liability for claims for compensation arising from loss of data or any consequential loss or damage.
- This product has been designed to operate with a PC/AT computer (IBM-compatible) with a USB port.
- Please comply with the safety instructions of the computer to which you will be connecting the devices.
- Never open the component housing!  
This could result in an electrical short circuit or even ignite a fire which will result in damage to your device.
- Do not let children play with electrical devices without supervision. Children are not always aware of potential hazards.
- Keep plastic packaging out of the reach of children. There is a risk of suffocation.

### Proper operation

- The device is for private use only and is not intended for use by companies in the heavy industry sector.
- Use the product in only residential or similar rooms.
- This keyboard and mouse set is designed solely for entering data and operating personal computers. No other use of this set is intended.

### Installation location

- Place and operate these devices on a stable, even and vibration-free surface.
- Keep your devices away from moisture, dripping and splashed water and avoid dust, heat and direct sunlight.

## Electromagnetic compatibility

- Keep the device at least 50 cm away from high frequency or magnetic interference sources (televisions, mobile telephones, infrared devices, loudspeaker boxes, etc.) to avoid malfunctions and data loss.  
The distance between transmitter and receiver should be greater than 50 cm.
- You must comply with the EMC directives (directives for electromagnetic compatibility) when you connect additional or other components.

## Conformity information as per R&TTE

Medion AG hereby declares that these devices conform to the fundamental requirements and the remaining relevant regulations of the 1999/5/EC Directive. Full declarations of conformity are available at [www.medion.com/conformity](http://www.medion.com/conformity).

# CE 0168

---

### Warning!

The mouse is Laser Class 1 equipment. Please have servicing done by an expert. Do not look into the beam; not even with optical instruments.

---

#### AFTER SALES SUPPORT



☎ 0871 37 61 030  
Monday to Friday, 9am to 5pm (UK time),  
outside the UK please dial +44 (0)1223 326000  
[www.medion.co.uk](http://www.medion.co.uk)

☎ 1-800-992-508  
toll free phone

- Wireless keyboard
- Wireless mouse
- USB receiver
- 4 AA batteries
- User manual
- Warranty Card



MODEL: MD 86603

## Safety instructions on battery operation

Batteries may contain combustible materials. If handled improperly, batteries can **leak**, become **very hot**, **ignite** or even **explode**, which could damage your device and/or your health. It is very important that you follow the instructions below:

- Keep batteries away from children. Contact your doctor immediately if a battery is swallowed.
- Never charge batteries (unless designed for this purpose).
- Never discharge the batteries by means of high power output.
- Never short-circuit the batteries.
- Never expose the batteries to excessive heat such as sunlight, fire or similar.
- Do not dismantle or deform the batteries.  
Your hands or fingers could be injured or battery fluid could come into contact with your eyes or skin. If this happens, rinse the affected areas immediately with a large amount of clear water and contact your doctor immediately.
- Avoid heavy impacts and vibrations.
- Always observe correct polarity.  
Make sure that the positive (+) and negative (-) poles are inserted correctly to prevent short circuits.
- Do not mix up new and old batteries or different types of batteries.  
This could cause your device to malfunction. In addition, the weaker batteries would discharge too much.
- Remove spent batteries from the device immediately.
- Remove the batteries from the device if you do not intend to use it for a long period of time.
- Replace all of the old batteries in a device with new batteries of the same type.
- Cover the contacts of the batteries with adhesive tape if you want to store or dispose of them.
- Before inserting the batteries, check that the contacts in the device and on the batteries are clean and, if necessary, clean them.

## Maintenance

### Cleaning

- Make sure that the devices do not become contaminated. Only use a dry, soft cloth to clean the device. Do not use chemical solutions and cleaning products because these may damage the device's surface and/or inscriptions.

### Repairs

- The devices should only be repaired by an authorised service partner. Please contact your customer service if you have technical problems.

Pull out the plug of your computer immediately from the mains and contact your customer service:

- If the connections are damaged.
- If liquid has penetrated the interior of the device.
- If the appliance is not working properly.
- If the device has been dropped or the housing is damaged.

## Disposal



### Device

At the end of its service life, the device should not be disposed of with the household rubbish. Please enquire about the options for environmentally friendly disposal.



### Batteries

Do not dispose of spent batteries in the household rubbish! They should be taken to a collection point for used batteries.



### Packaging

Your device has been packaged to protect it from damage in transit. The packaging is made of material which can be recycled in an environmentally friendly manner.

#### AFTER SALES SUPPORT



☎ 0871 37 61 030



☎ 1-800-992 508



www.medion.co.uk

MODEL: MD 86603

- Wireless keyboard
- Wireless mouse
- USB receiver
- 4 AA batteries
- User manual
- Warranty Card



## Contents of package

Please check your purchase to ensure all items are included. Contact us **within 14 days of purchase** if any components are missing. The following items are supplied with your product:

- Wireless keyboard
- Wireless mouse
- USB receiver
- 4 batteries (LR03/AAA, 1.5 V)
- Operating instructions
- Warranty card

## System requirements

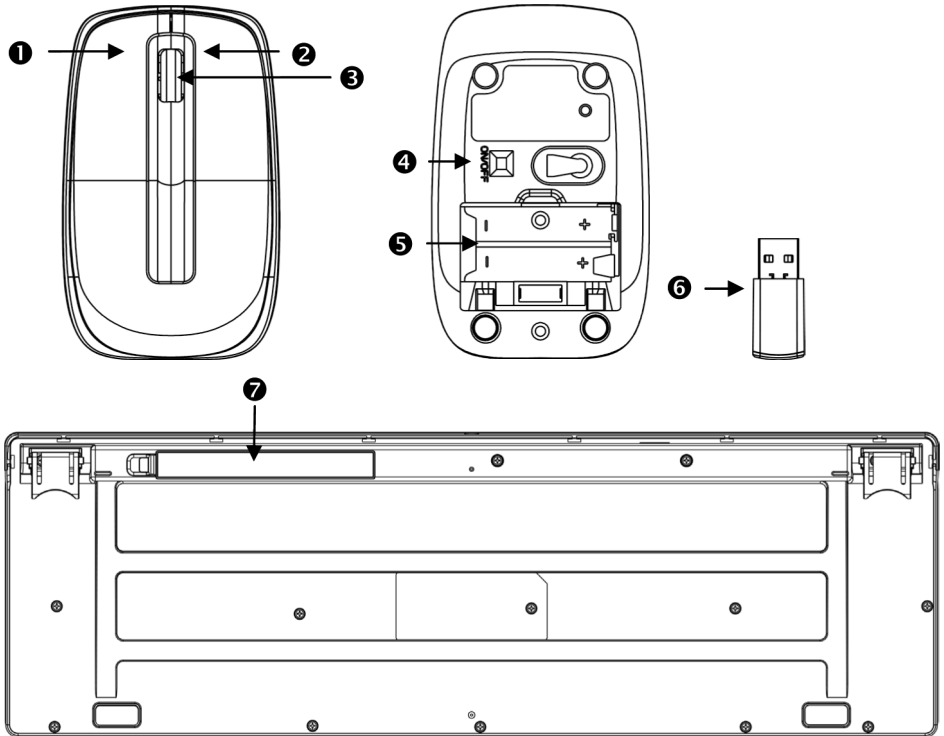
- Operating system Windows® 7/Vista®SP1/XP SP3
- Connections USB connection

## Technical data

- Battery-operated mouse 2 x R03/LR03/AAA, 1.5 V
- Battery-operated keyboard 2 x R03/LR03/AAA, 1.5 V
- Dimensions (LxWxH) Keyboard approx. 44 x 14.8 x 2.9 cm  
Mouse approx. 10.2 x 6.2 x 3.2 cm
- Weight of receiver, keyboard and mouse approx. 504 g (excluding batteries)
- Permissible ambient temperature +5°C – +35°C
- Permissible relative humidity 20% - 85%
- Radio channels 16 radio channels in the 2.4 GHz range
- Keyboard with special keys
- Connections 1 x USB connector
- Transmitting frequency 2.4 GHz
- Range approx. 5 m

## Initial operation

### Operating elements



1. Left mouse button
2. Right mouse button
3. Mouse wheel and button
4. Mouse on/off switch
5. Mouse battery compartment
6. USB radio receiver
7. Battery compartment on the back of the keyboard

#### AFTER SALES SUPPORT

☎ 0871 37 61 030 ☎ 1-800-992 508  
Monday to Friday 9am to 5pm (UK time)  
www.medion.co.uk

MODEL: MD 86603

- Wireless keyboard
- Wireless mouse
- USB receiver
- 4 AA batteries
- User manual
- Warranty Card





## Inserting the batteries into the keyboard

1. Turn over the keyboard.
2. Remove the battery compartment cover by putting your fingernail in the recess and carefully pressing the cover up.
3. Insert the batteries (2 x R03/LR03/AAA, 1.5 V) in the battery compartment of the keyboard. Ensure that the polarity of the batteries matches the "+" and "-" markings.
4. Press the battery compartment cover into place until you hear a click.

## Inserting the batteries into the wireless mouse

1. Turn the mouse over and remove the battery compartment cover by putting your fingernail in the recess and carefully pressing the cover up.
2. Insert the batteries (2 x R03/LR03/AAA, 1.5 V) in the battery compartment of the mouse. Ensure that the polarity of the batteries matches the "+" and "-" markings.
3. Press the battery compartment cover into place until you hear a click.

## Switching on the mouse

1. Set the on/off switch to the **ON** position.
2. Set it to **OFF** if you will not be using the mouse for long periods.

## Power-save function

If you do not use your mouse for a longer period (around 10 minutes or more), because you are doing typing work, for example, the mouse will shut off and the cursor on the screen will not move. This helps to minimise battery consumption.

To deactivate the power-save function, click on one of the mouse buttons.

## Installing the receiver

1. Please observe the notes in the section "Safety and Maintenance" on page <?>.
2. Switch on the computer and all connected peripheral devices (monitor, printer, external modem, etc.).
3. Insert the **USB receiver** into a free USB port on your computer.
4. Now position the keyboard and mouse at your work space so that you can work with them comfortably.

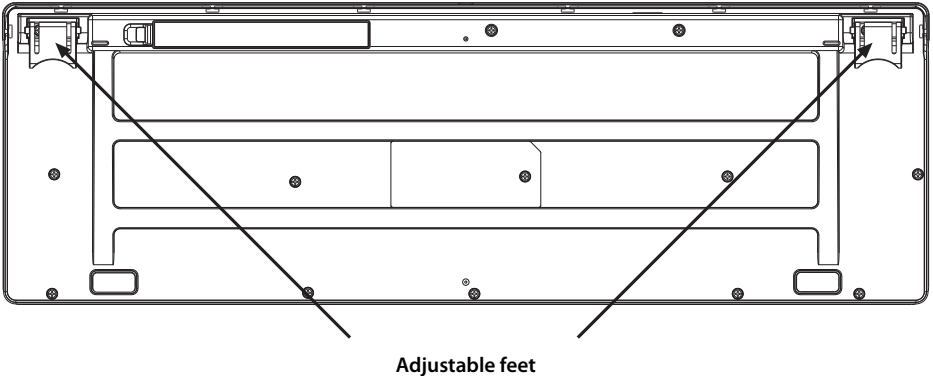
## Operating the components

### Mouse wheel

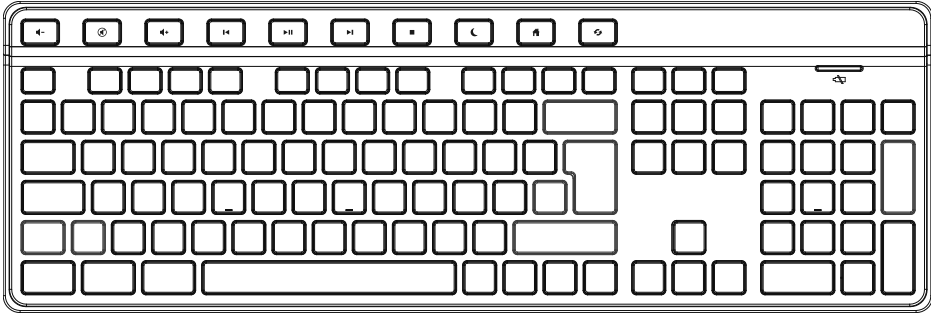
1. To scroll, move the wheel.
2. To use the wheel as a button, click as shown in the graphic and move the mouse in the preferred scroll direction.

### Keyboard

The back of the keyboard has two fold-out feet that can be used to adjust the angle of the keyboard.



## Special keys and functions



(Image similar)

These keys have **special functions** that you can see in the following table.

Symbol	Function
	<b>Volume control</b> – reduces output volume.
	<b>Mute</b>
	<b>Volume control</b> – increases output volume.
	<b>Back</b> – use this key to jump to the last track played in the activated player
	<b>Playback/Pause</b> – starts audio or video playback. If you press this key twice, you activate the pause function.
	<b>Forward</b> – next track in the activated player.
	<b>Stop</b> – stops or ends the audio or video playback.
	<b>Standby</b> – sets the computer to standby (special settings in the BIOS or operating system may be necessary for this. Read the instructions for your computer)
	<b>Start page</b> – calls up a home page provided by your computer manufacturer, or an Internet page that you have defined.
	<b>Update</b> – updates the content of the active window.

## Characteristics of the special keys

The correct function of the special keys depends on several factors:

- Operating system/configuration

The special keys call up certain functions of the operating system. Unfortunately this is not standardised, so that the call-up in Windows® Vista will have a different result than in Windows® 7. This is noticeable, for example, in the functions for controlling the media player.

The control keys for some operating systems/configurations will only work when the media player has been started.

Please check this on your system, as we cannot provide standardised instructions.

---

### Note

To make sure that your operating system has the latest drivers for your device, you can download these from our Internet page [www.medion.com](http://www.medion.com).

---

#### AFTER SALES SUPPORT



☎ 0871 37 61 030  
Monday to Friday, 9am to 5pm (UK time),  
outside the UK please dial +44 (0)1223 326000  
[www.medion.co.uk](http://www.medion.co.uk)

☎ 1-800-992-508  
toll free phone

- Wireless keyboard
- Wireless mouse
- USB receiver
- 4 AA batteries
- User manual
- Warranty Card



MODEL: MD 86603

## Customer service

### What to do in case of malfunctions

Malfunctions often occur for the simplest of reasons, but some can also be complex and require much analysis.

#### Basic information

Regularly executing the Windows® “Defragmentation” and “Scandisk” programs can eliminate sources of errors as well as increase system performance.

#### Error handling and tips

Have the batteries been inserted incorrectly, or are they empty? Check the polarity and replace the old batteries with new ones.

If you work on a metal or glass surface, use a pad as shielding.

### Technical support

This product has been thoroughly and successfully tested in our test laboratory with a wide variety of devices. However, the drivers will need to be updated from time to time. This is because there may be compatibility problems with other components (programs, devices) which have not yet been tested. The following website contains driver updates and the latest information about your product:

Internet: [www.medion.com](http://www.medion.com)

### Do you need more help?

If the above suggestions did not solve your problem please contact us. The following information would help us:

- How is your computer configured?
- What peripheral devices do you use?
- Which messages appear on the screen?
- Which software were you using when the problem occurred?
- Which steps have you already taken to solve the problem?
- Please provide your customer number if you have one.

# **MEDION®**

Medion Electronics Ltd.  
120 Faraday Park  
Faraday Road  
Dorcan  
Swindon SN3 5JF  
Wiltshire  
United Kingdom

Phone: 0871 37 61 020

(Costs 7p/minute land line, mobile costs may be higher)

Fax: 01793 715716

Phone Eire: 1-800-992 508 (free phone)

Internet

[www.medion.co.uk](http://www.medion.co.uk)

E-mail Support

To contact us by email please visit the "Service and Support"  
section of our website at [www.medion.co.uk](http://www.medion.co.uk)